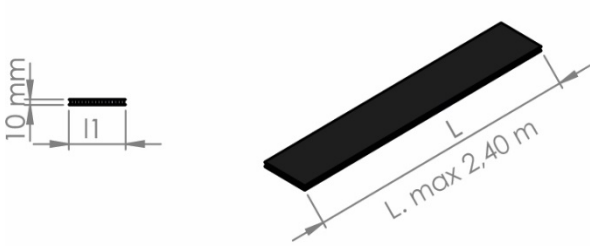


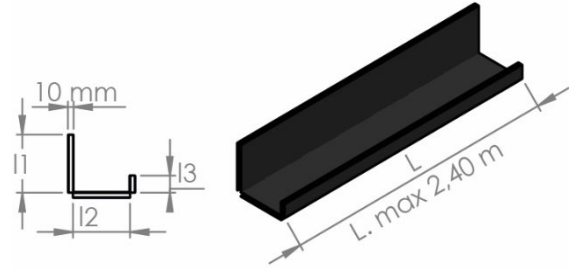
Betoform

Modelen

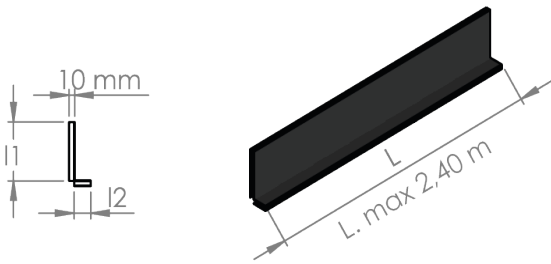
PLAT



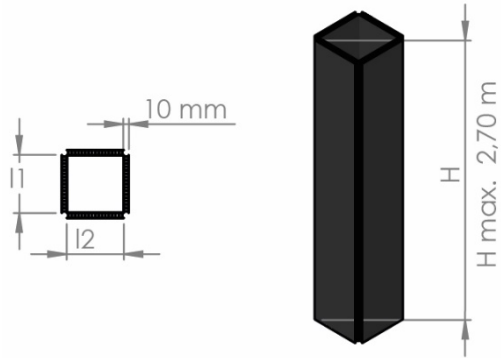
U-VORM



L-VORM



KOKER



| Model | L (mm) | l1 (mm) | l2 (mm) | l3 (mm) | H (mm) | Hoeveelheid | |
|-------|-----------|------------|------------|------------|-----------|-------------|----|
| | | | | | | st | lm |
| | | | | | | | |
| | | | | | | | |
| | | | | | | | |
| | | | | | | | |
| | | | | | | | |
| | | | | | | | |
| | | | | | | | |
| | | | | | | | |
| | | | | | | | |
| | | | | | | | |
| | | | | | | | |
| | | | | | | | |
| | | | | | | | |
| | | | | | | | |
| | | | | | | | |
| | | | | | | | |
| | | | | | | | |
| | | | | | | | |
| | | | | | | | |
| | | | | | | | |

Building Material Factory SPRL - 4040 Herstal

Versie: V1

Datum: 01/03/2020

Klant:

Project/Werf:

Datum:

